

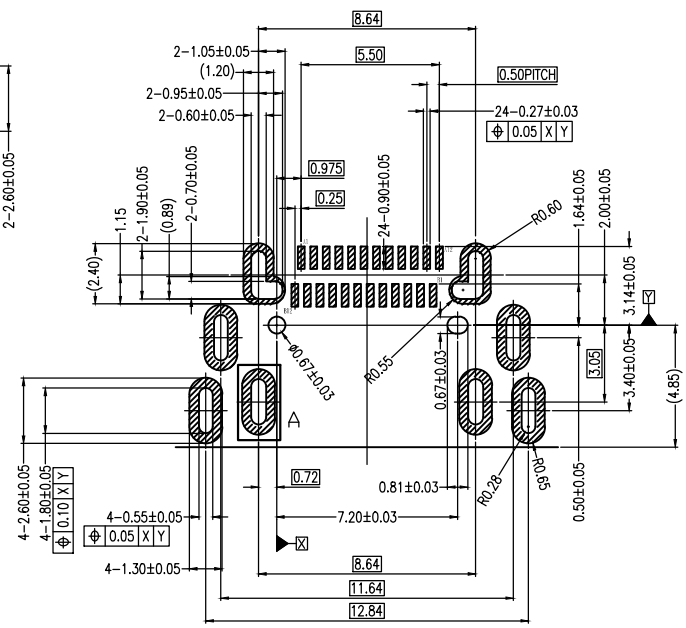
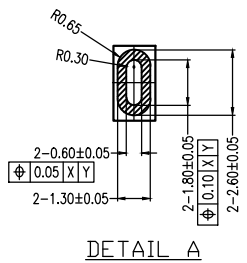
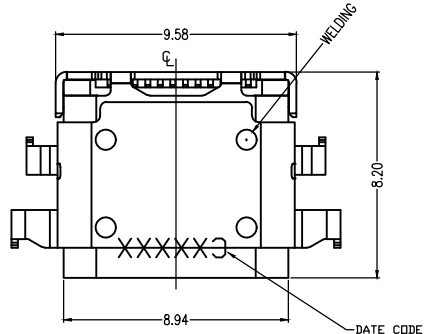
REVISIONS

REV	DESCRIPTION	DWN	DATE
A	RELEASE REVISION	CHEN	2019-07-06
A1	ADD PACKING INFORMATIONS	CHEN	2021-06-22

NOTES :

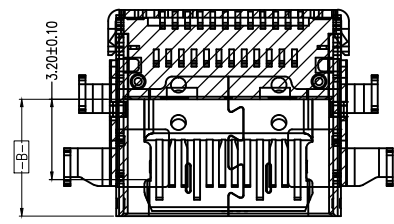
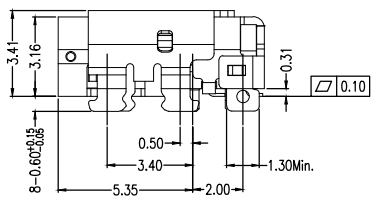
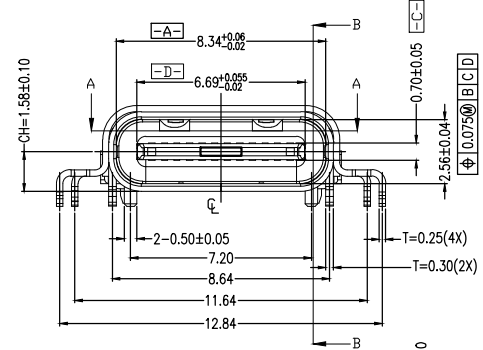
- MATERIAL:
  - A. HOUSING : HIGH TEMP PLASTIC,UL94V-0 ,BLACK
  - B. CONTACT : COPPER ALLOY.
  - C. MID-PLATE : STAINLESS STEEL.
  - D. SHELL : STAINLESS STEEL.
  - E. OUTER SHELL : STAINLESS STEEL.
- FINISH:
  - CONTACT : Au ON CONTACT AREA(SEE NOTES 3)
  - 100u"(Min) MATTE TIN ON SOLDER AREA
  - 80u"(Min) NICKEL UNDERPLATING OVERALL .
- ELECTRICAL CHARACTERISTIC:
  - 3-1. CURRENT RATING: 3A
  - VOTAGE RATING: 5V
  - 3-2. LOW LEVEL CONTACT RESISTANCE: 40mohms MAX. FOR VBUS, GND AND OTHER CONTACTS. 50mohms MAX. AFTER ENVIRONMENT TEST.
- MECHANICAL CHARACTERISTIC:
  - 4-1. INSERTION FORCE: 5~20N.
  - 4-2. EXTRACTION FORCE: 8~20N.
  - 4-3. DURABILITY: 10000 MATING CYCLES
  - 4-4. OPERATING TEMPERATURE: -55°C TO +85°C.
- P/N : UTC-013-1R24HX

PLATING OF CONTACT AREA  
G: GOLD FLASH  
6: 30u" Au

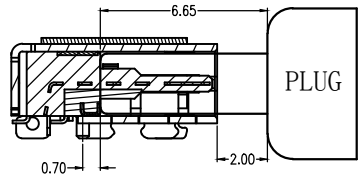


RECOMMENDED PCB LAYOUT (TOP VIEW)  
PCB THICKNESS 0.80±0.05mm

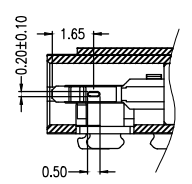
PIN ASSIGNMENT											
A1	A2	A3	A4	A5	A6	A7	A8	A9	A10	A11	A12
GND	TX1	TX1-	VBUS	CC1	D+	D-	RFU1	VBUS	RX2-	RX2+	GND
GND	RX1+	RX1-	VBUS	RFU2	D-	D+	CC2	VBUS	TX2-	TX2	GND
B12	B11	B10	B9	B8	B7	B6	B5	B4	B3	B2	B1



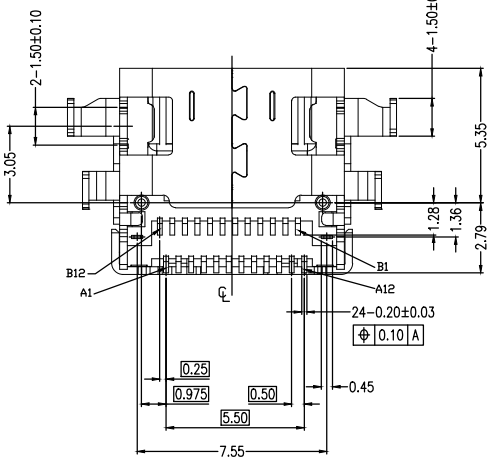
SECTION A-A



MATING CONDITION



SECTION B-B



GENERAL TOLERANCES (OTHERWISE SPECIFIED)	SCALE	DESIGN UNITS
	NONE	MILIMETER
4 PLS ±	DRAWN BY	DATE
3 PLS ± 0.10	Bok Chen	2019/07/08
2 PLS ± 0.15	CHECKED BY	DATE
1 PLS ± 0.25	C.S Chen	2019/07/08
ANGLES ± °	APPROVED BY	DATE
	C.S Chen	2019/07/08
QUALITY SYMBOLS	DRAWING NO.	
▽=0	YMU0791301-1	

THIS DRAWING CONTAINS INFORMATION THAT IS PROPRIETARY TO YUE SHENG EXACT INDUSTRIAL CO; LTD AND SHOULD NOT BE USED WITHOUT WRITTEN PERMISSION

**譽盛精密工業股份有限公司**  
Yue Sheng Exact industrial CO; LTD.

TITLE  
USB TYPE C R/A DUAL-ROW SMT TYPE  
CH=1.58mm H=3.41mm(New Inner Structure)

PART NO. YMU0791301-1

THIRD ANGLE PROJECTION	DWG REV. V	SHEET NO. 1 OF 1	SIZE
------------------------	------------	------------------	------