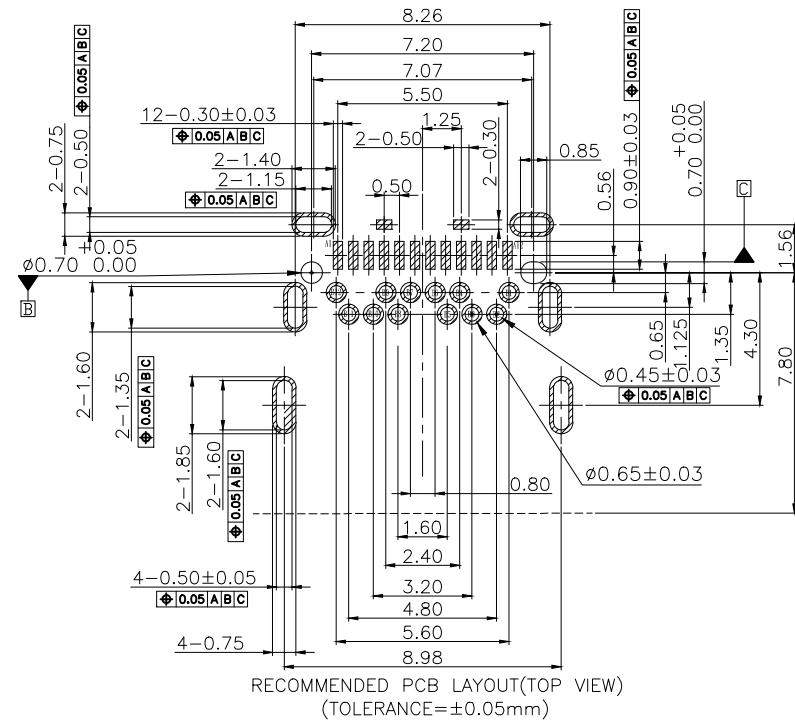
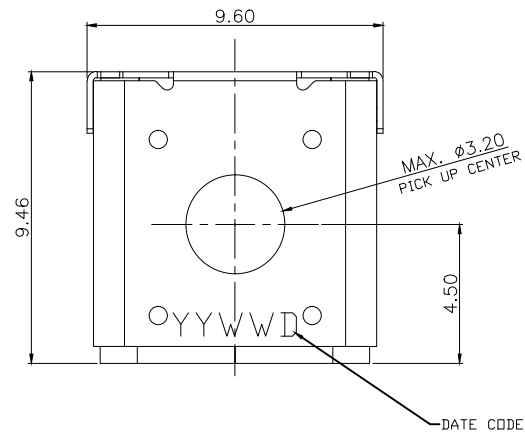


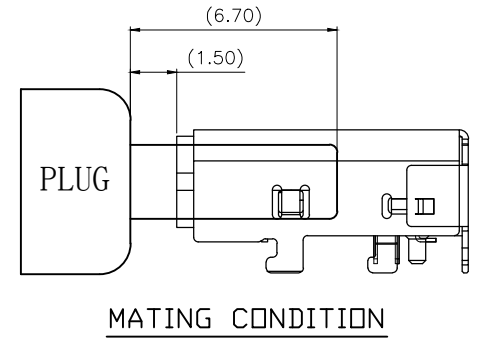
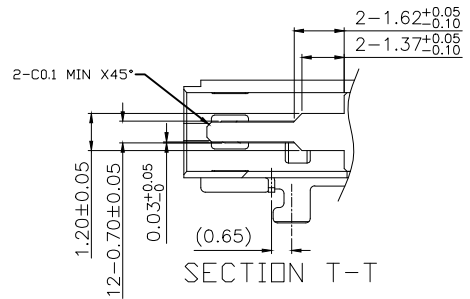
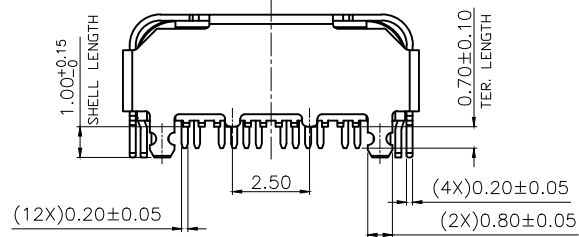
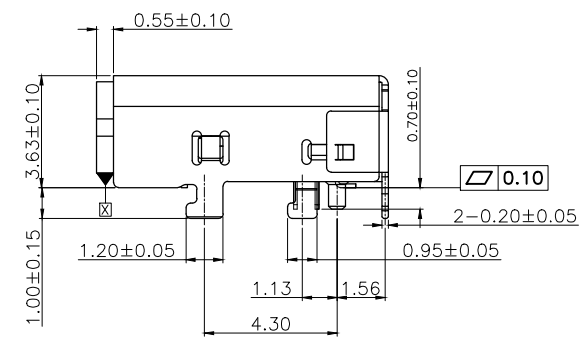
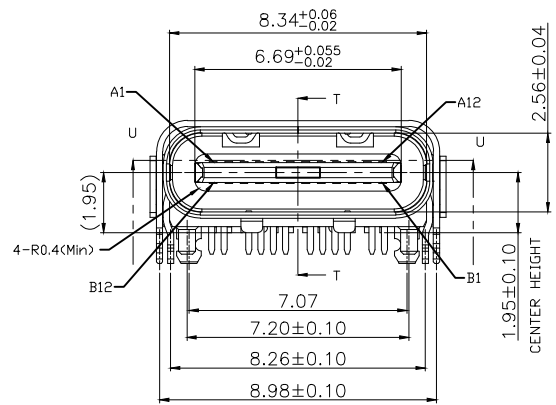
HALOGEN FREE

REVISIONS

REV	DESCRIPTION	DWN	DATE
A	RELEASE REVISION	CHEN	2018-03-16
A1	ADD PACKING IMFORMATIONS	CHEN	2018-04-20

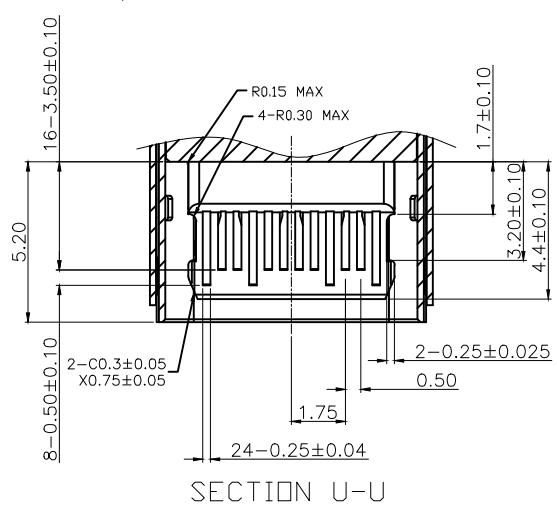
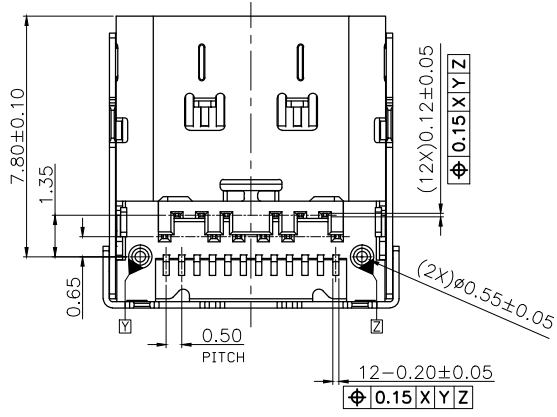


- NOTES :
- MATERIAL:
    - A. HOUSING : HIGH TEMP PLASTIC,UL94V-0 ,BLACK
    - B. CONTACT : COPPER ALLOY.
    - C. MID-PLATE : STAINLESS STEEL.
    - D. SHELL : STAINLESS STEEL.
    - E. OUTER SHELL : STAINLESS STEEL.
  - FINISH:
    - CONTACT : Au ON CONTACT AREA(SEE NOTES 5)
    - 100u"(Min) MATTE TIN ON SOLDER AREA
    - 80u"(Min) NICKEL UNDERPLATING OVERALL .
  - ELECTRICAL CHARACTERISTIC:
    - 3-1. CONTACT CURRENT RATING:
      - 5A FOR VBUS PINS(A4,A9,B4,B9)
      - 1.25A FOR FOR GND PINS(A1,A12,B1,B12)
      - 0.25 A FOR OTHER PINS
    - 3-2. VOLTAGE RATING: 20.0V
    - 3-3. LOW LEVEL CONTACT RESISTANCE:
      - 40mohms MAX. FOR VBUS, GND AND OTHER CONTACTS.
      - 50mohms MAX. AFTER ENVIRONMENT TEST.
  - MECHANICAL CHARACTERISTIC:
    - 4-1. INSERTION FORCE: 5~20N.
    - 4-2. EXTRACTION FORCE: 8~20N (1~10000 CYCLES)
    - 6~20N (AFTER DURABILITY CYCLES)
    - 4-3. DURABILITY: 10000 MATING CYCLES
    - 4-4. OPERATING TEMPERATURE: -55°C TO +85°C.



PLATING OF CONTACT AREA  
 03: 3u" Au  
 30: 30u" Au

PIN ASSIGNMENT											
A1	A2	A3	A4	A5	A6	A7	A8	A9	A10	A11	A12
GND	TX1-	TX1-	VBUS	CC1	D+	D-	RFU1	VBUS	RX2-	RX2+	GND
GND	RX1+	RX1-	VBUS	RFU2	D-	D+	CC2	VBUS	TX2-	TX2-	GND
B12	B11	B10	B9	B8	B7	B6	B5	B4	B3	B2	B1



GENERAL TOLERANCES (OTHERWISE SPECIFIED)	SCALE NONE	DESIGN UNITS MILIMETER
4 PLS ±	DRAWN BY Bob Chen	DATE 2017/10/13
3 PLS ± 0.10	CHECKED BY C.S Chen	DATE 2018/03/08
2 PLS ± 0.15	APPROVED BY C.S Chen	DATE 2018/03/12
1 PLS ± 0.25	DRAWING NO. YMU0781301-1	PART NO. YMU0781301-1
ANGLES ± °	THIS DRAWING CONTAINS INFORMATION THAT IS PROPRIETARY TO YUE SHENG EXACT INDUSTRIAL CO; LTD AND SHOULD NOT BE USED WITHOUT WRITTEN PERMISSION	
QUALITY SYMBOLS $\nabla \text{C} = 0$		

**譽盛精密工業股份有限公司**  
 Yue Sheng Exact industrial CO; LTD.

TITLE  
 USB TYPE C R/A HYBRID TYPE CH=1.95mm  
 H=3.63mm  
 PART NO. YMU0781301-1

THIRD ANGLE PROJECTION	DWG REV. $\checkmark$	SHEET NO. 1 OF 1	SIZE
------------------------	-----------------------	------------------	------